

For reference only. See data sheet for the detailed specifications.

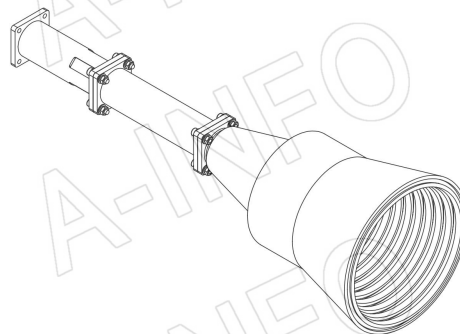
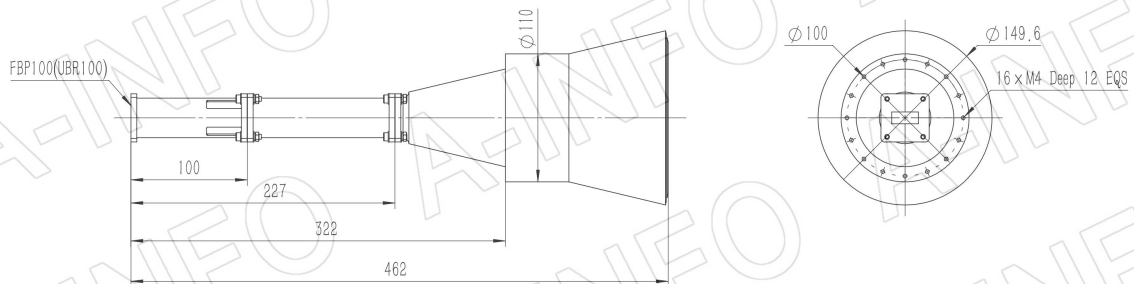
Technical Specification



Frequency Range(GHz)	8.9 – 11.7
Waveguide	WR90
Gain(dBic)	20 Typ.
Polarization	LHCP
Axial Ratio(dB)	1.5 Typ. ; 3.0 Max.
3dB Beamwidth(deg)	E Plane: 17 Typ.
	H Plane: 17 Typ.
VSWR	A Type: 1.15:1 Typ.
	C Type: 1.30:1 Typ.
Output	A Type: FBP100(UBR100)
	C Type: SMA-Female or N-Female or TNC-Female or 7mm or 3.5mm-Female
Material	Al
Finish	Chemical Conversion Coating, Gray Paint
Size(mm)	A Type: 149.6 x 149.6 x 462
	C Type: 149.6 x 149.6 x 500
Net Weight(Kg)	A Type: 1.70 Around
	C Type: 1.80 Around

Outline Drawing (Size: mm)

FBP100 Output (P/N: LB-CH-90-20-L16-A)



AINFO Inc.

China(Beijing): Tel: (+86) 10-6266-7326,
China(Chengdu): Tel: (+86) 28-8519-2786,
USA: Tel: (+1) 949-639-9688,

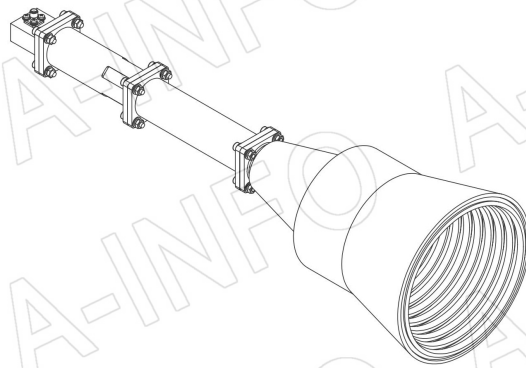
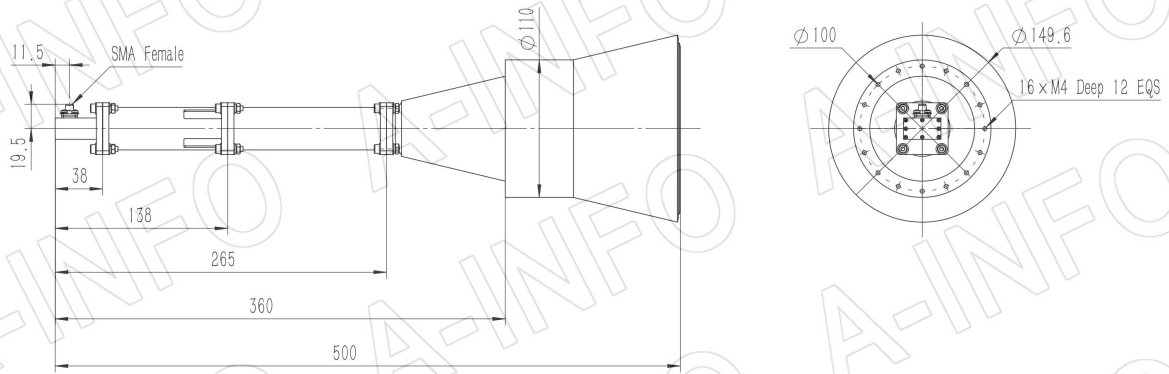
Page 1 of 7

(+86) 10-6266-7327 Fax: (+86) 10-6266-7379
(+86) 28-8519-3044 Fax: (+86) 28-8519-3068
(+1) 949-639-9608 Fax: (+1) 949-639-9670

Website: www.ainfoinc.com
Email: sales@ainfoinc.com

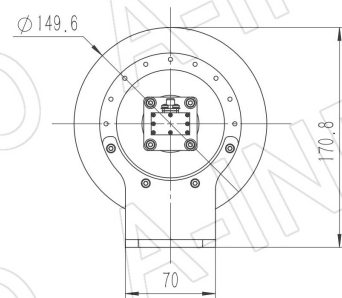
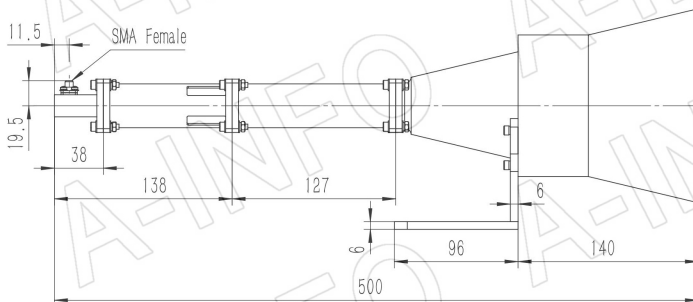
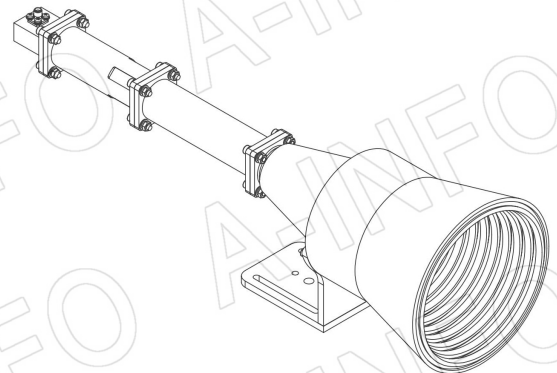
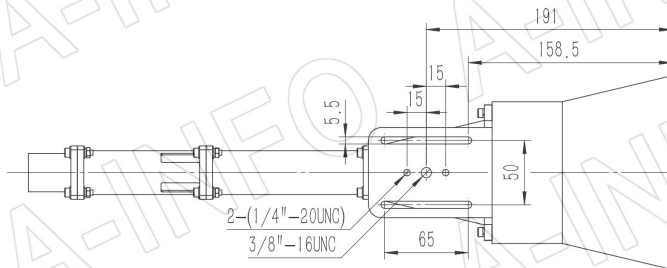
SMA-Female Output (P/N: LB-CH-90-20-L16-C-SF)

For N-Female, TNC-Female, 7mm or 3.5mm-Female output outline drawing, please contact A-INFO.

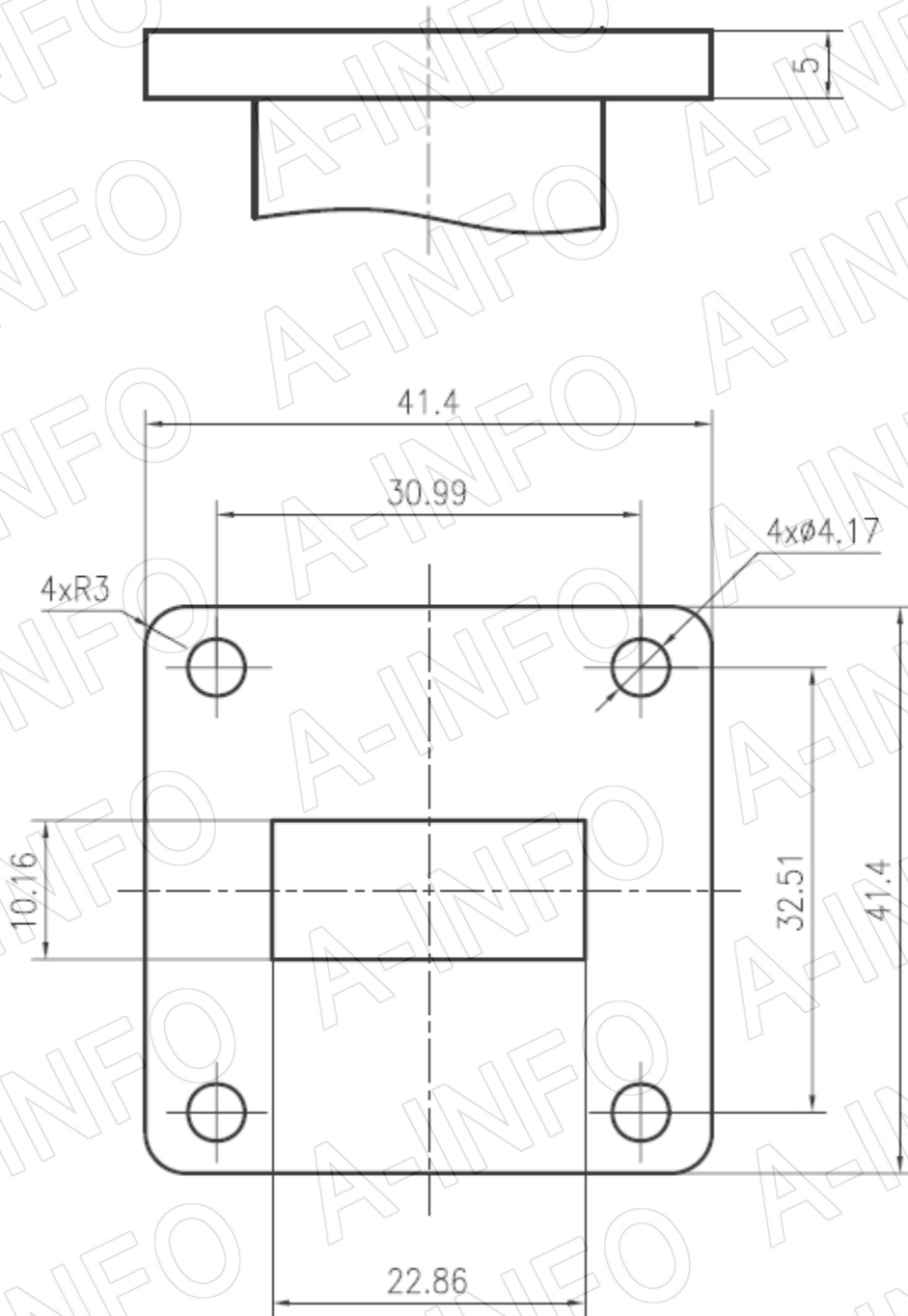


SMA-Female Output with L Type Mounting Bracket (Option, P/N: LB-CH-90-20-L)

For N-Female, TNC- Female, 7mm or 3.5mm-Female output outline drawing, please contact A-INFO.



Flange Drawing (Size: mm)



FBP100

AINFO Inc.

China(Beijing): Tel: (+86) 10-6266-7326,
China(Chengdu): Tel: (+86) 28-8519-2786,
USA: Tel: (+1) 949-639-9688,

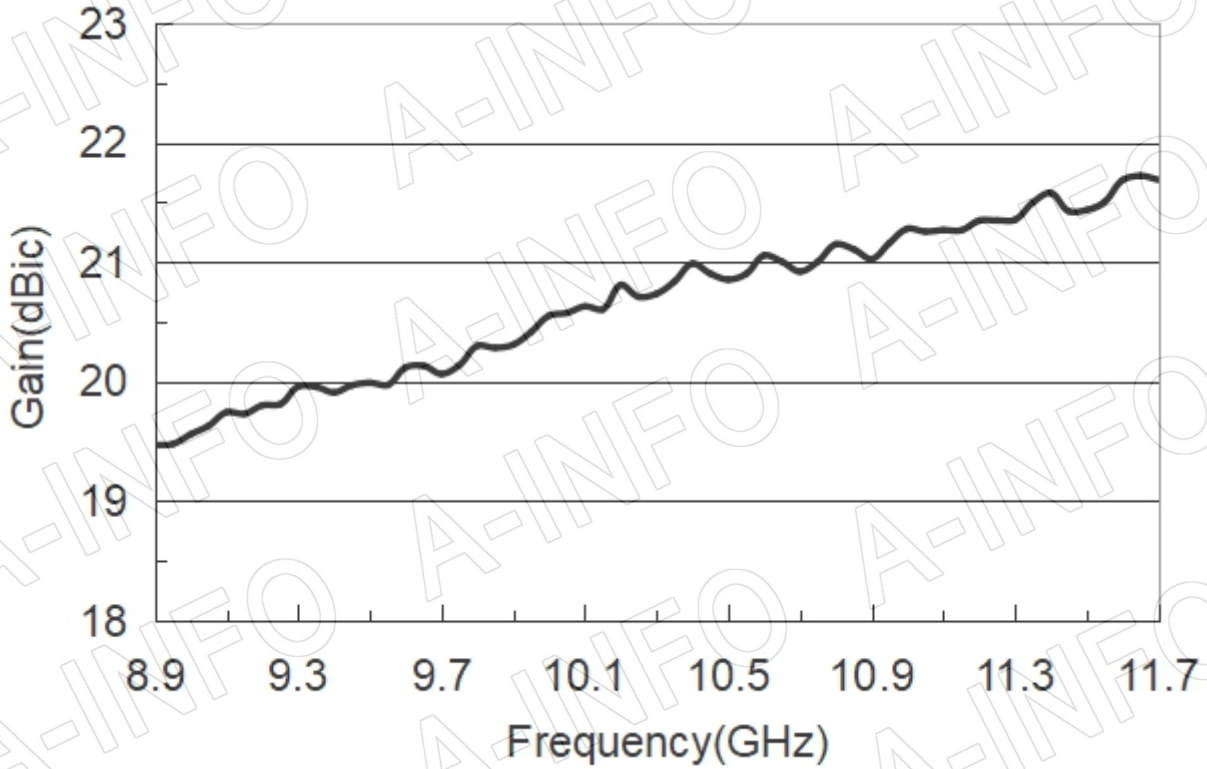
Page 3 of 7

(+86) 10-6266-7327 Fax: (+86) 10-6266-7379
(+86) 28-8519-3044 Fax: (+86) 28-8519-3068
(+1) 949-639-9608 Fax: (+1) 949-639-9670

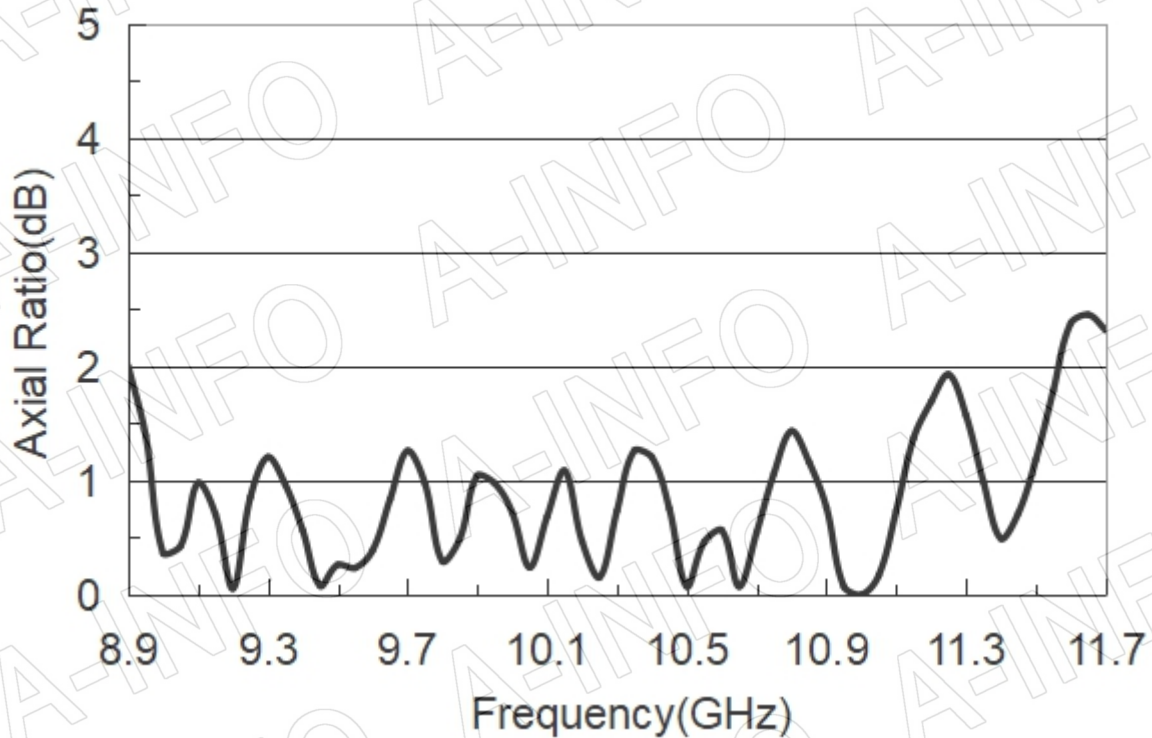
Website: www.ainfoinc.com
Email: sales@ainfoinc.com

Test Results

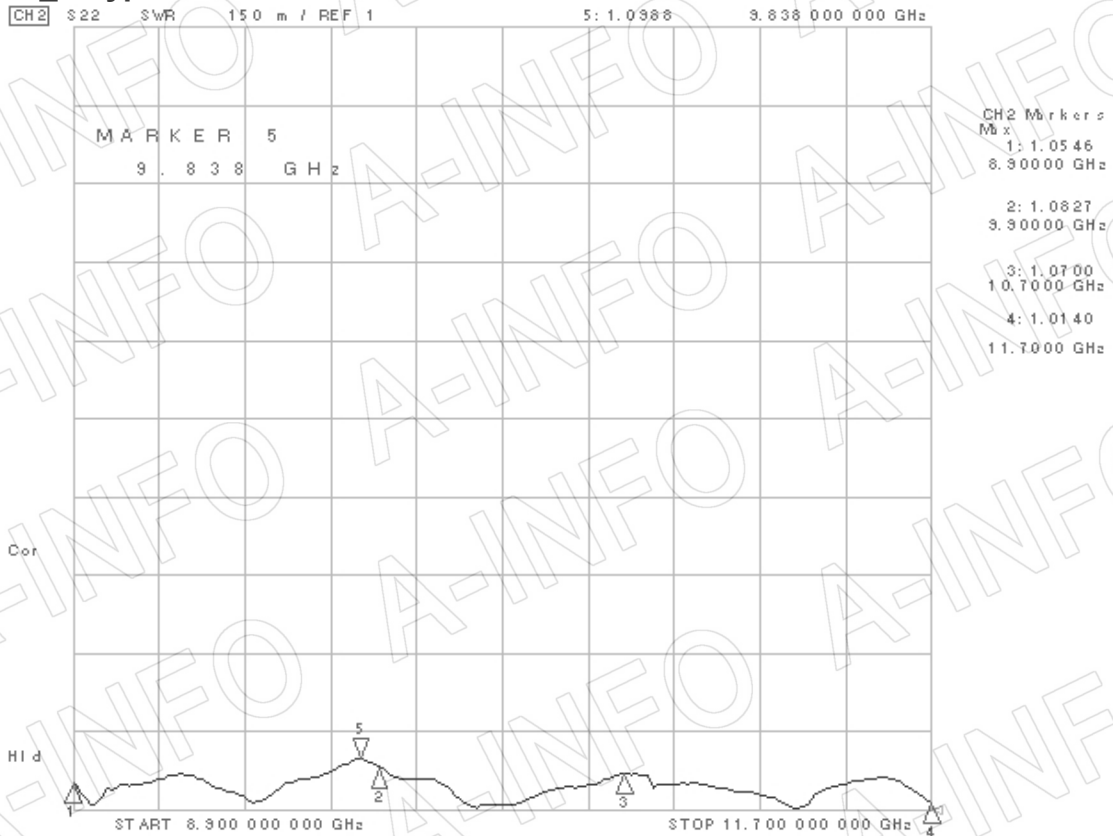
1. Gain



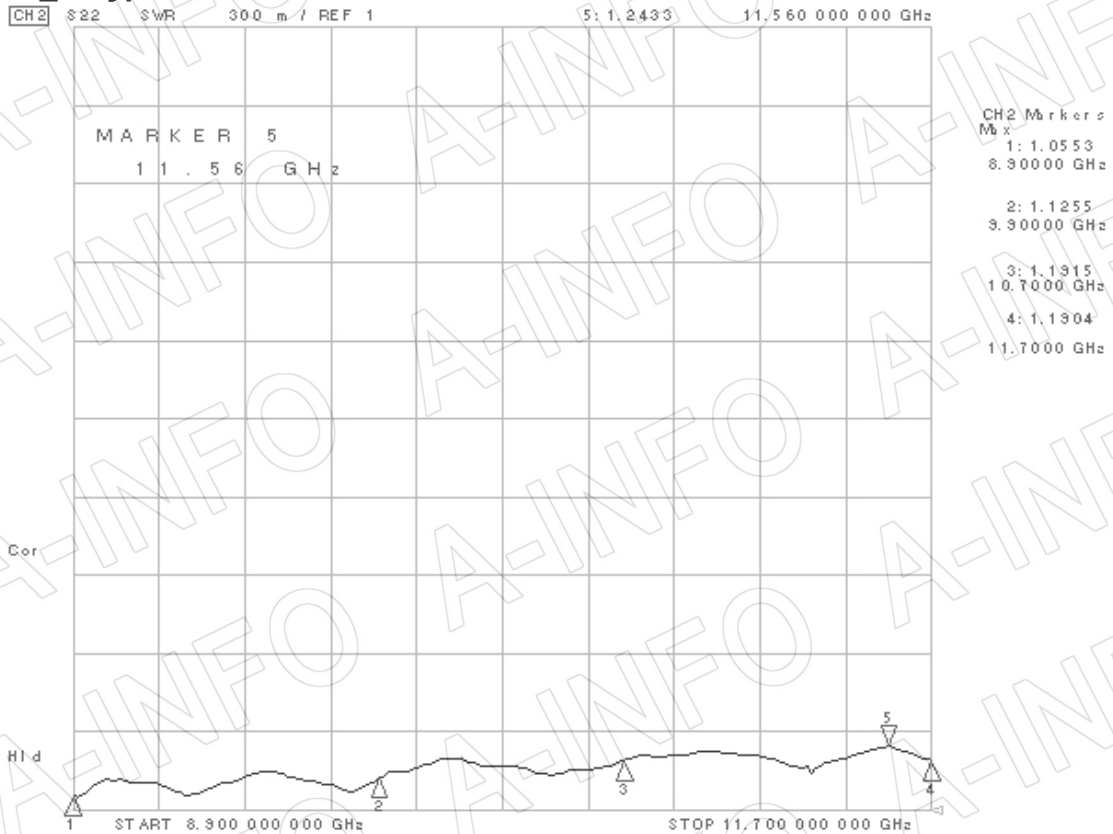
2. Axial Ratio



3. VSWR_A Type



VSWR_C Type



4. Pattern

